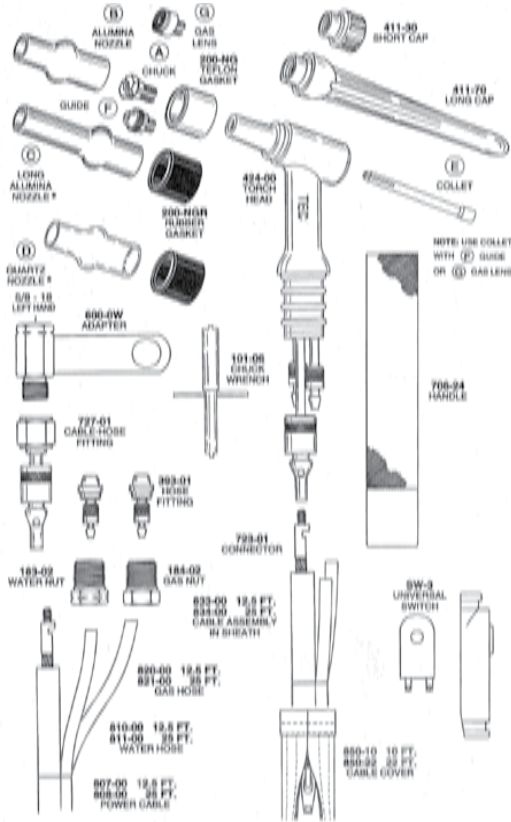


Water Cooled TIG Torches

Model 424: 500 Amp Torch

- Silicone rubber insulation.
- Rainbow, color-coded, sheath protected hoses, connect and disconnect without tools.
- Tapered design—no gaskets, insulators or seals.
- 100% continuous duty cycle, DC straight polarity.
- “Lectro-Lock” instant backcap for releasing of electrodes.
- Accommodates 3" - 7" (75-180 mm) electrode length.
- Uses alumina ceramic or clear glass nozzles.
- Electrode size: .020" - 3/16".
- Has replaceable Teflon® nozzle gasket.
- Gas lens is available.

Part No. 424-12- 12' Torch Assembly **Part No. 424-25-** 25' Torch Assembly



A. Chucks

Part No.	I.D. (inches)	I.D. mm
220-05	.020"	0.5
220-00	.040"	1.0
221-00	1/16"	1.6
222-00	3/32"	2.4
223-00	1/8"	3.2
224-00	5/32"	4.0
225-00	3/16"	4.8

B. Alumina Nozzles

Part No.	Size	I.D. (inches)
130-00	#4	1/4"
131-00	#5	5/16"
132-00	#6	3/8"
133-00	#7	7/16"
134-00	#8	1/2"
135-00	#9	9/16"
136-00	#10	5/8"

C. Long Alumina Nozzles*

Part No.	Size	I.D. (inches)
130-07	#4L	1/4"
131-07	#5L	5/16"
132-07	#6L	3/8"
133-07	#7L	7/16"

D. Quartz Nozzles (Glass-Vycor)*

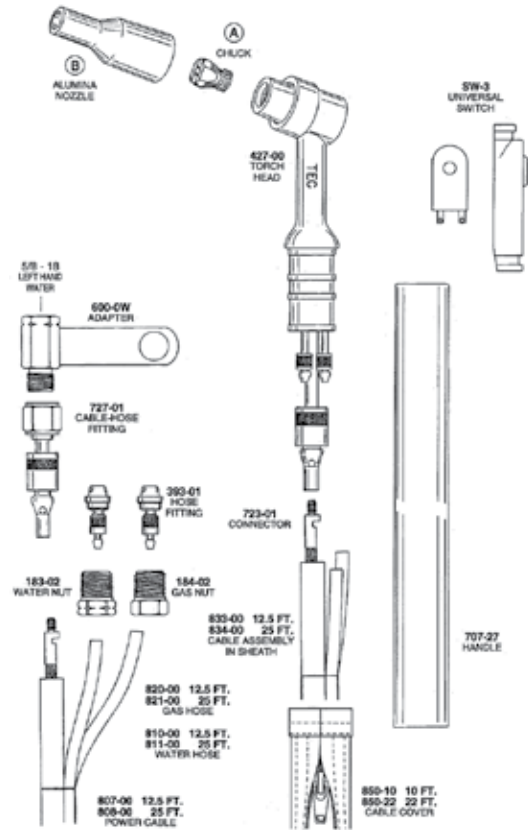
Part No.	Size	I.D. (inches)
150-00	#4	1/4"
151-00	#5	5/16"
152-00	#6	3/8"
153-00	#7	7/16"
154-00	#8	1/2"

* Requires 200-NGR Gasket

Model 427: 650 Amp Torch

- Silicone rubber insulation.
- Extended handle to protect hand from reflected heat.
- Rainbow, color-coded, sheath protected hoses, connect and disconnect without tools.
- Tapered design—no gaskets, insulators or seals.
- 100% continuous duty cycle, DC straight polarity.
- Positive front locking of electrode.
- Accommodates 2-1/2" electrode.
- Uses alumina ceramic nozzles.
- Electrode size: 1/8" - 5/16"

Part No. 427-12- 12' Torch Assembly **Part No. 427-25-** 25' Torch Assembly



A. Chucks

Part No.	I.D. (inches)	I.D. mm
223-07	1/8"	3.2
224-07	5/32"	4.0
225-07	3/16"	4.8
226-07	1/4"	6.4
227-07	5/16"	8.0

B. Alumina Nozzles

Part No.	Size	I.D. (inches)
141-00	#5	5/16"
142-00	#6	3/8"
143-00	#7	7/16"
144-00	#8	1/2"
145-00	#10	5/8"

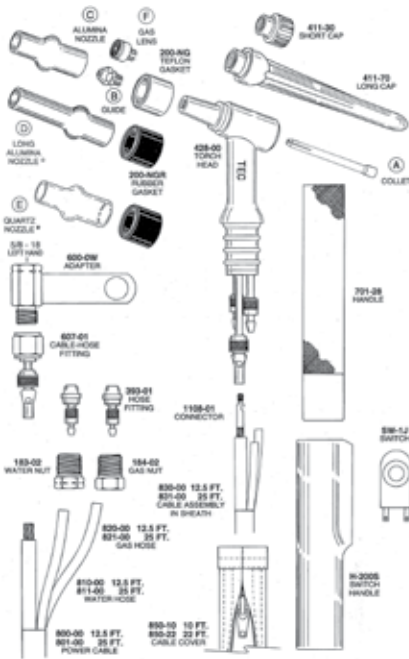
Water Cooled TIG Torches

Model 428: 350 Amp Torch

- Color-coded, sheath protected hoses connects and disconnects without tools.
- "Lectro-Lock" instant backcap lock for releasing of electrodes.
- Silicone rubber insulation.
- Accommodates 3" to 7" electrode length.
- 100% continuous duty cycle, DC straight polarity.
- Uses alumina ceramic or clear glass nozzles.
- Has replaceable Teflon® nozzle gasket.
- Gas lens available.
- Electrode size: .020" - 5/32".

Part No. 428-12- 12' Torch Assembly

Part No. 428-25- 25' Torch Assembly



A. Collets

Part No.	I.D. (inches)	I.D. mm
962-01	.020"	0.5
964-01	.040"	1.0
965-01	1/16"	1.6
966-01	3/32"	2.4
967-01	1/8"	3.2
968-01	5/32"	4.0

B. Guides

Part No.	I.D. (inches)	I.D. mm
961-21	.020"	0.5
961-41	.040"	1.0
961-51	1/16"	1.6
961-61	3/32"	2.4
961-71	1/8"	3.2
961-81	5/32"	4.0

C. Alumina Nozzles

Part No.	Size	I.D. (inches)
130-00	#4	1/4"
131-00	#5	5/16"
132-00	#6	3/8"
133-00	#7	7/16"
134-00	#8	1/2"
135-00	#9	9/16"
136-00	#10	5/8"

D. Long Alumina Nozzles*

Part No.	Size	I.D. (inches)
130-07	#4L	1/4"
131-07	#5L	5/16"
132-07	#6L	3/8"
133-07	#7L	7/16"

E. Quartz Nozzles (Glass - Vycor)*

Part No.	Size	I.D. (inches)
150-00	#4	1/4"
151-00	#5	5/16"
152-00	#6	3/8"
153-00	#7	7/16"
154-00	#8	1/2"

F. Gas Lens Guide

Part No.	I.D. (inches)	I.D. mm
950-21	.020"	0.5
950-41	.040"	1.0
950-51	1/16"	1.6
950-61	3/32"	2.4
950-71	1/8"	3.2

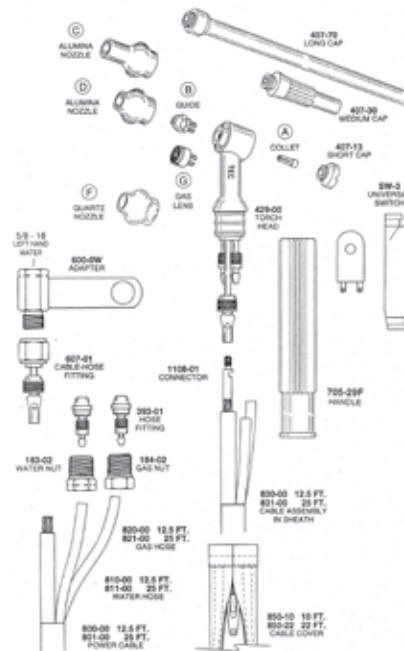
* Requires 200-NGR Gasket

Model 429: 300 Amp Torch

- Silicone rubber insulation.
- Rainbow, color-coded, sheath protected hoses, connect and disconnect without tools.
- Tapered design—no gaskets, insulators or seals.
- 100% continuous duty cycle, DC straight polarity.
- Lectro-lock instant backcap for releasing of electrodes.
- Accommodates 3" - 7" electrode length.
- Uses alumina ceramic or clear glass nozzles.
- Gas lens available.
- Electrode size: .020" - 1/8".

Part No. 429-12- 12' Torch Assembly

Part No. 429-25- 25' Torch Assembly



A. Collets

Part No.	I.D. (inches)	I.D. mm
104-421	.020"	0.5
104-441	.040"	1.0
104-451	1/16"	1.6
104-461	3/32"	2.4
104-471	1/8"	3.2

B. Guides

Part No.	I.D. (inches)	I.D. mm
961-21	.020"	0.5
961-41	.040"	1.0
961-51	1/16"	1.6
961-61	3/32"	2.4
961-71	1/8"	3.2

C. Alumina Nozzles

Part No.	Size	I.D. (inches)
130-11	#4	1/4"
131-11	#5	5/16"
132-11	#6	3/8"
133-11	#7	7/16"

D. Alumina Nozzles-Short

Part No.	Size	I.D. (inches)
130-01	#4	1/4"
131-01	#5	5/16"
132-01	#6	3/8"
133-01	#7	7/16"

F. Quartz Nozzles-Short (Glass - Vycor)

Part No.	Size	I.D. (inches)
150-01	#4	1/4"
151-01	#5	5/16"
152-01	#6	3/8"
153-01	#7	7/16"

G. Gas Lens Guides

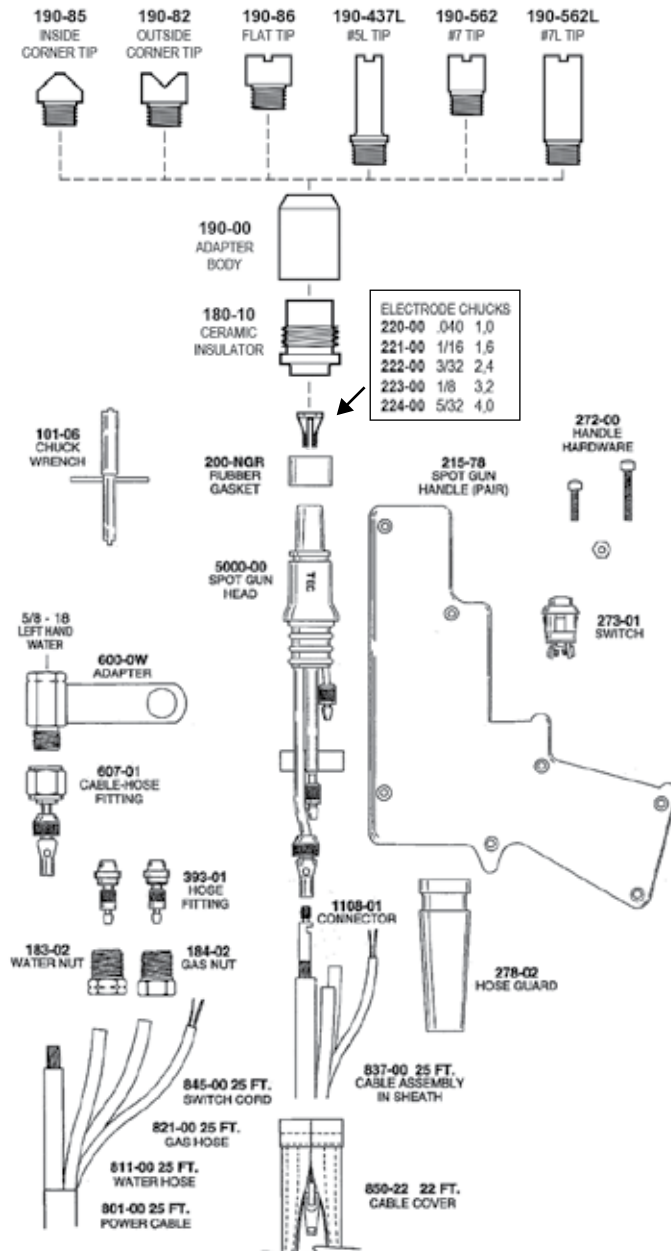
Part No.	I.D. (inches)	I.D. mm
950-21	.020"	0.5
950-41	.040"	1.0
950-51	1/16"	1.6
950-61	3/32"	2.4
950-71	1/8"	3.2

TIG Spot Guns

Model 5000: 430 Amp Water Cooled TIG Spot Gun

- Production spot gun.
- Operates up to 430 Amps on DC straight polarity.
- Will spot weld such materials as mild steel, stainless steel, Monel and Inconel in the thickness of 1/8" or less from one side.
- Constructed of durable, long lasting materials.
- Locators or tips are available for tacking inside or outside corners, flanges, butt, lap, "T" joints.
- Accommodates .040" - 5/32" electrodes.
- Electrode lengths 3" and 6"

Part No. 5000- 25' Torch Assembly



Model 5505: 200 Amp Air Cooled TIG Spot Gun

- Light duty spot gun.
- Operates up to 200 Amps on DC straight polarity.
- Will spot weld such materials as mild steel, stainless steel, Monel and Inconel in the thickness of 1/8" or less from one side.
- Constructed of durable, long lasting materials.
- Locators or tips are available for tacking inside or outside corners, flanges, butt, lap "T" joints.
- Accommodates .040" - 5/32" electrodes.
- Electrode lengths 3" and 6"

Part No. 5505- 25' Torch Assembly

