

Air Cooled TIG Torches

WP-9 Series

- Versatile & lightweight for thin gauge material.
- Torch bodies only include cup gasket.
- Torch packages include: torch body, handle, medium back cap (WP-9P torch does not use back caps), and power cable.
- If other than standard power cable is desired for air cooled torch, change last character to receive desired power cable.
 - 2: Two piece power cable.
 - R: One piece rubber jacketed power cable.



Part No. WP-9V

Part No.	Description	Max AMPS	Head Angle	Gas Valve	Handle Style	Access Kit
WP-9	Torch body	125	70°	No	Ribbed 3/4 dia.	AK-1
WP-9-12-2	Torch package					
WP-9-12-R						
WP-9-25-2						
WP-9-25-R						
WP-9V	Torch body, valve	125	70°	Knob & stem	Ribbed 3/4 dia.	AK-1
WP-9V-12-2	Torch package					
WP-9V-12-R						
WP-9V-25-2						
WP-9V-25-R						
WP-9FV	Torch body, flex valve	125	90°	Knob & stem	Ribbed 3/4 dia.	AK-1
WP-9FV-12-2	Torch package					
WP-9FV-12-R						
WP-9FV-25-2						
WP-9FV-25-R						

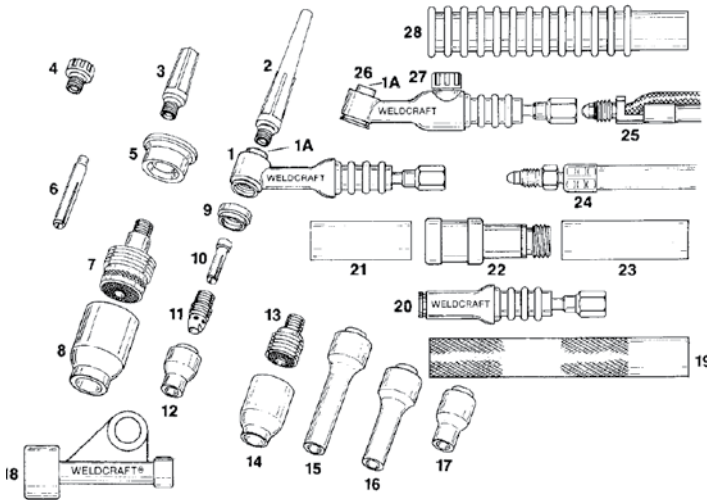


Chart A: Collets, Collet Bodies, Gas Lens

Electrode Diameter	.020	.040	1/16	3/32
Collet	13N20	13N21	13N22	13N23
Collet body	13N25	13N26	13N27	13N28
Gas lens	45V41	45V42	45V43	45V44
Lg. diameter gas lens collet	13N20L	13N21L	13N22L	13N23L
Lg. diameter gas lens	45V0204S	45V0204S	45V116S	45V64S

Chart B: Gas Nozzles

Size	3	4	5	6	7	8	10	12	Short
Alumina		13N08	13N09	13N10	13N11	13N12	13N13		
Alumina gas lens		53N58	53N59	53N60	53N61	53N61S			
Large dia. gas lens				57N75		57N74	53N88	53N87	53N89*
Lava		13N14	13N15	13N16	13N17	13N18	13N19		
Long lava	796F70	796F71	796F72	796F73					
Ex long lava	796F74	796F75	796F76	796F77					

*Not recommended for use with high frequency current.

Cable Covers: WC-3-10, WC-3-22
Extension Kit: EK-2-25-R
Weight: 3 oz. (less power cable)
Torch Length: WP-9: 7" - WP-9P: 6-1/2"

#	Part No.	Description
1	WP-9	Torch body, includes cup gasket (70°)
1A	09-4	Insert
2	41V24	Long back cap, includes 98W77 O-ring
3	41V35	Medium back cap, includes 98W77 O-ring
4	41V33	Short back cap, includes 98W77 O-ring
5	54N63-20	Lg. diameter gas lens insulator
6	see chart A	Lg. diameter gas lens collet
7	see chart A	Lg. diameter gas lens
8	see chart B	Lg. diameter gas lens nozzle
9	598882	Cup gasket
10	see chart A	Collet
11	see chart A	Collet body
12	see chart B	Alumina nozzle
13	see chart A	Gas lens (see chart A)
14	see chart B	Alumina gas lens nozzle
15	see chart B	Extra long lava nozzle
16	see chart B	Long lava nozzle
17	see chart B	Lava nozzle
18	105Z57	Power cable adapter
19	H-100	Handle (smooth, standard on WP-9P)
20	WP-9P	Pencil torch body, includes cup gasket (180°)
21-3	V-92	Valve assembly includes items 21, 22, 23
21	V-92-1	Front handle (not sold separately)
22	V-92-2	Valve body (not sold separately)
23	V-92-3	Rear handle (not sold separately)
24	Power cable – 1-piece	
	57Y01	12-1/2 ft. (3.8 m) vinyl
	57Y03	25 ft. (7.6 m) vinyl
	57Y01R	12-1/2 ft. (3.8 m) rubber
	57Y03R	25 ft. (7.6 m) rubber
25	Power cable – 2-piece	
	57Y01-2	12-1/2 ft. (3.8 m)
	45V09R	(gas hose only - 12-1/2 ft.)
	57Y03-2	25 ft. (7.6 m)
26	WP-9V	(gas hose only - 25 ft.)
		Valve torch body, includes cup gasket and valve stem (70°)
27	VS-2	Valve stem, includes 98W77 O-ring
28	H-100R	Handle (ribbed, standard on WP-9V, 9)
Cable Repair Kits		
ZCRK17		1-piece power cable repair kit
ZCRK17-2		2-piece power cable repair kit

WP-17 Series

- High capacity for thin to medium gauge materials.
- Compact and durable for field welding applications. Ribbed handle for comfort and cool operation. Fingertip gas control valve on WP-17V model and heavy duty 2 pc. power cable is supplied as standard equipment. Parts interchange with WP-18, WP-26, and WP-26V models.
- Torch packages available with R for 1 piece rubber power cables. Torch body includes cup gasket.
- Torch packages include: Torch body, handle, long back cap, power cable. Power cable adapter is not needed with two piece power cable.
- If other than standard power cable is desired for air cooled torch, change last character to receive desired power cable.
 - 2: Two piece power cable.
 - R: One piece rubber jacketed power cable.



Part No. WP-17

Part No.	Description	Max AMPS	Head Angle	Gas Valve	Handle Style	Accessory Kit
WP-17	Torch body	150	70°	No	Ribbed 7/8 dia.	AK-2
WP-17-12-2 WP-17-25-2	Torch package					
WP-17V	Torch body, valve	150	70°	Knob & stem	Ribbed 7/8 dia.	AK-2
WP-17V-12-2 WP-17V-12-R WP-17V-25-2 WP-17V-25-R	Torch package					
WP-17FV	Torch body, flex valve					
WP-17FV-12-2 WP-17FV-12-R WP-17FV-25-2 WP-17FV-25-R	Torch package					

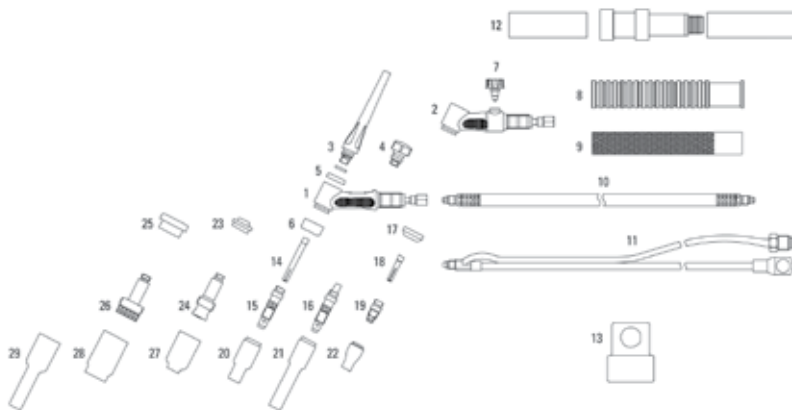


Chart A: Collets, Collet Bodies, Gas Lens

Electrode dia.	.020	.040	1/16	3/32	1/8
Collet	10N21	10N22	10N23	10N24	10N25
Collet body	10N29	10N30	10N31	10N32	10N28
Single pc. collet/collet body				10N332SP	10N18SP
Stubby nozzle insulator	18CG20	18CG20	18CG20	18CG20	18CG20
Gas lens	45V29	45V24	45V25	45V26	45V27
Lg. diameter gas lens	45V0204	45V0204	45V116	45V64	995795
Lg. diameter gas lens insulator	54N63	54N63	54N63	54N63	54N63
Stubby collet		10N22S	10N23S	10N24S	10N25S
Stubby collet body		17CB20	17CB20	17CB20	17CB20
Gas lens insulator	54N01	54N01	54N01	54N01	54N01

Chart B: Gas Nozzles

Size	4	5	6	7	8	10	12	Short
Alumina	10N50	10N49	10N48	10N47	10N46	10N45	10N44	
Alumina gas lens	54N18	54N17	54N16	54N15	54N14			54N19*
Large diameter gas lens			57N75		57N74	53N88	53N87	53N89*
Long alumina		10N49L	10N48L	10N47L				
Long gas lens		54N17L	54N16L	54N15L				
Lava	105Z43	105Z42	105Z44	105Z45	08N78	08N79	08N80	
Long lava	12N03	105Z60	12N02	105Z61				
Stubby alumina	13N08	13N09	13N10	13N11	13N12	13N13		
Long alumina large diameter gas lens			57N75 L		57N74 L	53N88 L	53N87 L	
X-long alumina large diameter gas lens			57N75L XL		57N74L XL	53N88 XL	53N87 XL	
XX-long alumina large diameter gas lens			57N75L XXL		57N74L XXL	53N88 XXL	53N87 XXL	

*Not recommended for use with high frequency current.

#.	Part No.	Description
1	WP-17	Torch body (70°), includes insulators
2	WP-17V	Torch body with valve (70°), includes insulators
3	57Y02	Long back cap, includes 98W18 O-ring
4	57Y04	Short back cap, includes 98W18 O-ring
5	18-7	Back cap insulator
6	18CG	Nozzle insulator
7	VS-2	Valve stem, includes 98W77 O-ring
8	H-100R	Ribbed handle
9	H-100	Knurled handle
10	57Y01R	Power cable - 12-1/2' rubber
	57Y03R	Power cable - 25' rubber
	57Y01-2	Power cable - 2 pc. 12-1/2' rubber
	45V09R	(gas hose only - 12-1/2' braided)
11	57Y03-2	Power cable - 2 pc. 25' rubber
	45V10R	(gas hose only - 25' braided)
	V-92	Slide valve
12	V-92	Slide valve
13	105Z57	Power cable adapter
Cable Repair Kits		
ZCRK17		1-piece power cable repair kit
ZCRK17-2		2-piece power cable repair kit

Cable Covers: WC-3-10, WC-3-22
Extension Kit: EK-2-25-R
Weight: 6 oz. (less power cable)
Torch Length: 7-3/4"
Qwik Connector:
 400A - Q5
 150A w/ hose - Q5G-150
 150A flow thru - Q5GT-150

Accessory Kits AK-2 (WP-17, 17V, 17FV)
 1-Short back cap
 3-Collets .040, 1/16", 3/32"
 3-Collet bodies .040, 1/16", 3/32"
 3-Al. nozzles 4, 5, 6
 3-Tungsten electrodes 2%, .040, 1/16", 3/32", x 7"

Air Cooled TIG Torches

WP-26 Series

- Maximum capacity air cooled torch for continuous heavy-duty use.
- Heavy copper construction for rugged field work. Heavy duty 2-piece power cable and ribbed handle are standard equipment. Parts interchange with WP-18, WP-17 and WP-17V models.
- Torch packages available with R for 1 piece rubber power cables. Torch bodies only include cup gasket.
- Torch packages include: torch body, handle, long back cap, and power cable assembly.
- Power cable adapter is not needed on 2-piece power cable.
- If other than standard power cable is desired for air cooled torch, change last character to receive desired power cable.
 - 2: 2-piece power cable.
 - R: 1-piece rubber jacketed power cable (1-piece vinyl power cable is not available).



Part No. WP-26

Part No.	Description	Max AMPS	Head Angle	Gas Valve	Handle Style	Access Kit
WP-26	Torch body	200	70°	-	Ribbed 1-1/4" dia.	AK-3
WP-26-12-2	Torch package					
WP-26-12-R						
WP-26-25-2						
WP-26-25-R						
WP-26V	Torch body, valve	200	70°	Knob & stem	Ribbed 1-1/4" dia.	AK-3
WP-26V-12-2	Torch package					
WP-26V-12-R						
WP-26V-25-2						
WP-26V-25-R						
WP-26FV	Torch body, flex valve	200	90°	Knob & stem	Ribbed 1-1/4" dia.	AK-3
WP-26FV-12-2	Torch package					
WP-26FV-12-R						
WP-26FV-25-2						
WP-26FV-25-R						

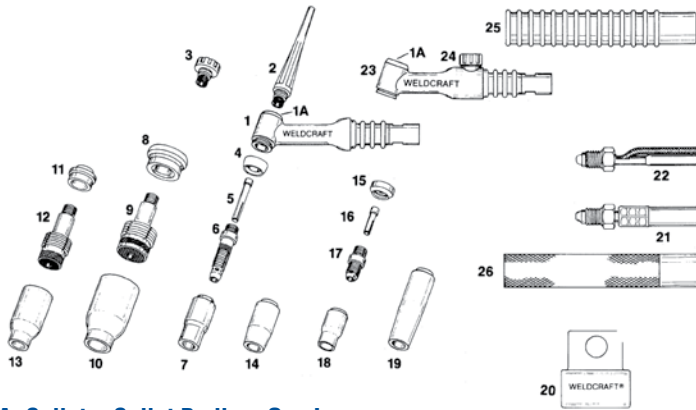


Chart A: Collets, Collet Bodies, Gas Lens

Electrode Dia.	.020	.040	1/16	3/32	1/8	5/32
Collet	10N21	10N22	10N23	10N24	10N25	54N20
Collet Body	10N29	10N30	10N31	10N32	10N28	406488
Gas Lens	45V29	45V24	45V25	45V26	45V27	45V28
Lg. Dia Gas Lens Collet	45V0204	45V0204	45V116	45V64	995795	45V63
Stubby Collet		10N22S	10N23S	10N24S	10N25S	
Stubby Collet Body		17CB20	17CB20	17CB20	17CB20	17CB20

Chart B: Gas Nozzles

Size	4	5	6	7	8	10	12	Short
Alumina	10N50	10N49	10N48	10N47	10N46	10N45	10N44	
Alumina gas lens	54N18	54N17	54N16	54N15	54N14			54N19*
Lg. dia. gas lens			57N75		57N74	53N88	53N87	53N89*
Long Alumina		10N49L	10N48L	10N47L				
Long gas lens		54N17L	54N16L	54N15L				
Lava	105Z43	105Z42	105Z44	105Z45	08N78	08N79	08N80	
Long lava	12N03	105Z60	12N02	105Z61				
Stubby alumina	13N08	13N09	13N10	13N11	13N12	13N13		

*Not recommended for use with high frequency current.

AK-3 (WP-26, 26V, 26FV)

- 1-Short back cap
- 3-Collets 1/16", 3/32", 1/8"
- 3-Collet bodies 1/16", 3/32", 1/8"
- 3-Al. nozzles 5, 6, 8
- 3-Tungsten electrodes 2% 1/16, 3/32" 1/8" x 7"

Cable Covers:	WC-3-10, WC-3-22
Extension Kit:	Not available
Weight:	10 oz. (less power cable)
Torch Length:	8-1/2"

#	Part No.	Description
1	WP-26	Torch body, includes cup gasket (70°)
1A	18-7	Insert
2	57Y02	Long back cap, includes 98W18 O-ring
3	57Y04	Short back cap, includes 98W18 O-ring
4	18CG	Cup gasket
5	see chart A	Collet
6	see chart A	Collet body
7	see chart B	Alumina nozzle
8	54N63	Lg. diameter gas lens insulator
9	see chart A	Lg. diameter gas lens
10	see chart B	Lg. diameter gas lens nozzle (see chart B)
11	54N01	Gas lens insulator
12	see chart A	Gas lens
13	see chart B	Alumina gas lens nozzle
14	see chart B	Lava nozzle
15	18CG20	Stubby gasket
16	see chart A	Stubby collet
17	see chart A	Stubby collet body
18	see chart B	Stubby alumina nozzle
19	see chart B	Long lava nozzle
20	45V62	Power cable adapter
Power cable - 1 piece rubber		
21	46V28R	12-1/2 ft. (3.8 m)
	46V30R	25 ft. (7.6 m)
Power cable - 2-piece		
22	46V28-2	12-1/2 ft. (3.8 m)
	40V75R	(gas hose only – 12-1/2 ft.)
	46V30-2	25 ft. (7.6 m)
	41V30R	(gas hose only – 25 ft.)
23	WP-26V	Valve torch body, includes cup gasket & stem (70°)
24	VS-1	Valve stem, includes 98W77 O-ring
25	H-200R	Handle (ribbed, standard)
26	H-200	Handle (smooth, optional)
Cable Repair Kits		
ZCRK26		1-piece power cable repair kit
ZCRK26-2		2-piece power cable repair kit

Water Cooled TIG Torches

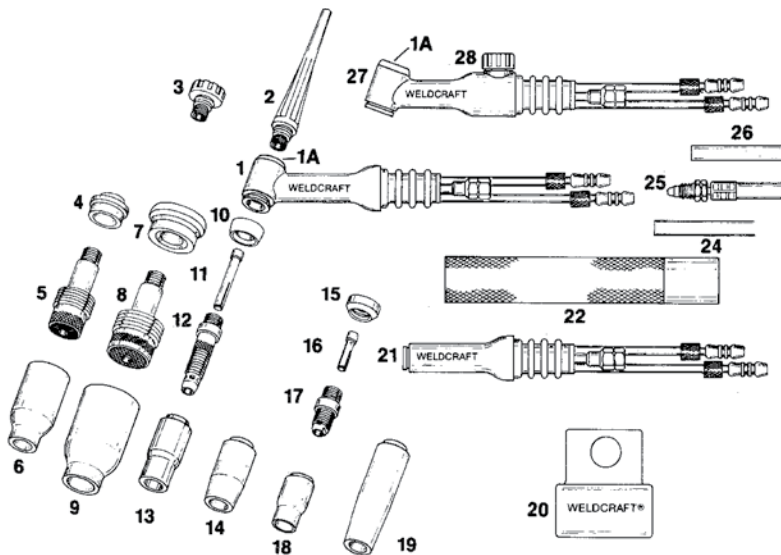
WP-18 Series

- Work horse torches for continuous duty. Heavy duty rugged production torch for continuous duty to 350 amps. WP-18SP: pencil style.
- Parts interchange with WP-17, WP-17V, WP-26, WP-26V torch models. Available with built-in fingertip gas control valve.
- Torch packages include: Torch body, handle, long back cap, power cable and hoses. Power cable adapter must be ordered separately.
- Water cooling requirements: 1 – 1-1/2 quarts per minute at maximum of 50 PSI pressure.
- All are three piece power cables. Torch bodies only include cup gasket.
- R: Rubber jacketed power cable; all others are vinyl jacketed.



Part No. WP-18

Part No.	Description	Max AMPS	Head Angle	Gas Valve	Handle Style	Access Kit	Hook-Up Kit
WP-18	Torch body	350	70°	-	Textured 1-1/16" dia.	AK-3	HK-1
WP-18-12	Torch package						
WP-18-12-R							
WP-18-25							
WP-18-25-R							
WP-18V	Torch body, valve	350	70°	Knob	Textured	AK-3	HK-1
WP-18V-25	Torch package						
WP-18V-25							
WP-18V-25-R							



#	Part No.	Description
1	WP-18	Torch body, includes cup gasket (70°)
1A	18-7	Insert
2	57Y02	Long back cap, includes 98W18 O-ring
3	57Y04	Short back cap, includes 98W18 O-ring
4	54N01	Gas lens insulator
5	see chart A	Gas lens
6	see chart B	Alumina gas lens nozzle (See chart B)
7	54N63	Lg. diameter gas lens insulator
8	see chart A	Lg. diameter gas lens (see chart A)
9	see chart B	Lg. diameter gas lens nozzle (see chart B)
10	18CG	Cup gasket
11	see chart A	Collet (see chart A)
12	see chart A	Collet body (see chart A)
13	see chart B	Alumina nozzle (see chart B)
14	see chart B	Lava nozzle (see chart B)
15	18CG20	Stubby gasket
16	see chart A	Stubby collet
17	see chart A	Stubby collet body
18	see chart B	Stubby alumina nozzle
19	see chart B	Long lava nozzle
20	45V11	Power cable adapter
21	WP-18SP	Pencil torch body, includes cup gasket
22	H-200	Handle (smooth, standard on WP-18, 18SP)
24	Water Hose	
	40V74	12-1/2 ft. (3.8 m)
	40V74R	40V74 12-1/2 ft. (3.8 m), rubber
	41V32	25 ft. (7.6 m)
25	Power Cable	
	40V64	12-1/2 ft. (3.8 m)
	40V64R	12-1/2 ft. (3.8 m), rubber
	41V29	25 ft. (7.6 m)
26	Gas Hose	
	40V75	12-1/2 ft. (3.8 m)
	40V75R18	12-1/2 ft. (3.8 m), rubber
	41V30	25 ft. (7.6 m)
27	Gas Hose	
	41V30R18	25 ft. (7.6 m), rubber
27	WP-18V	Body, includes cup gasket and valve stem (70°)
28	VS-2	Valve stem, includes 98W77 O-ring
Cable Repair Kits		
ZCRK18	Power cable repair kit	
ZHRKW18	Water hose repair kit	

Chart A: Collets, Collet Bodies, Gas Lens

Electrode Dia.	.020	.040	1/16	3/32	1/8	5/32
Collet	10N21	10N22	10N23	10N24	10N25	54N20
Collet body	10N29	10N30	10N31	10N32	10N28	406488
Gas lens	45V29	45V24	45V25	45V26	45V27	45V28
Lg. dia. gas lens	45V0204	45V0204	45V116	45V64	995795	45V63
Stubby collet		10N22S	10N23S	10N24S	10N25S	
Stubby collet body		17CB20	17CB20	17CB20	17CB20	

Chart B: Gas Nozzles

Size	4	5	6	7	8	10	12	Short
Alumina	10N50	10N49	10N48	10N47	10N46	10N45	10N44	
Alumina gas lens	54N18	54N17	54N16	54N15	54N14			54N19*
Large dia. gas lens			57N75		57N74	53N88	53N87	53N89*
Long alumina		10N49L	10N48L	10N47L				
Long gas lens		54N17L	54N16L	54N15L				
Lava	105Z43	105Z42	105Z44	105Z45	08N78	08N79	08N80	
Long lava	12N03	105Z60	12N02	105Z61				
Stubby alumina	13N08	13N09	13N10	13N11	13N12	13N13		

*Not recommended for use with high frequency current.

AK-3 (WP-18, 18V)

- 1-Short back cap
- 3-Collets 1/16", 3/32", 1/8"
- 3-Collets bodies 1/16", 3/32", 1/8"
- 3-Alumina nozzle 5, 6, 8
- 3-Tungsten electrodes 2%, 1/16", 3/32", 1/8" x 7" - thoriated

- Cable Covers:** WC-3-10, WC-3-22
- Extension Kit:** EK-1-25
- Weight:** 7 oz. (less hoses)
- Torch Length:** 9-1/4"

Water Cooled TIG Torches

Super Cool 18® TIG Torch

Weldcraft's Super Cool 18® solves the age-old problem of overheating associated with 18 style 350 amp water-cooled torches. Its unique patented water cooling chamber eliminates overheating, softening, twisting and buckling of the collet, which generally occurs when welding with AC current on aluminum alloys. The water cooling chamber design ensures water flow over the entire length of the head, keeping the collet and nose collet body cool. The gas nozzle is now screwed onto the water chamber sleeve so it will remain cooler for longer service.

- Torch packages available with R for rubber power cables.
- Torch bodies only include nozzle gasket.
- Torch packages include: Torch body, handle, long back cap, and power cable assembly. Power cable adapter must be ordered separately.
- Water cooling requirements: 1 – 1-1/2 quarts per minute at maximum of 50 PSI pressure.
- 3-piece vinyl power cable.



Part No. WP-18SC

Part No.	Description	Max AMPS	Head Angle	Handle Style	Access Kit	Hook-Up Kit
WP-18SC	Torch body	400	70°	Textured 1-1/16 dia.	AK-18	HK-1
WP-18SC-12	Torch package					
WP-18SC-25						

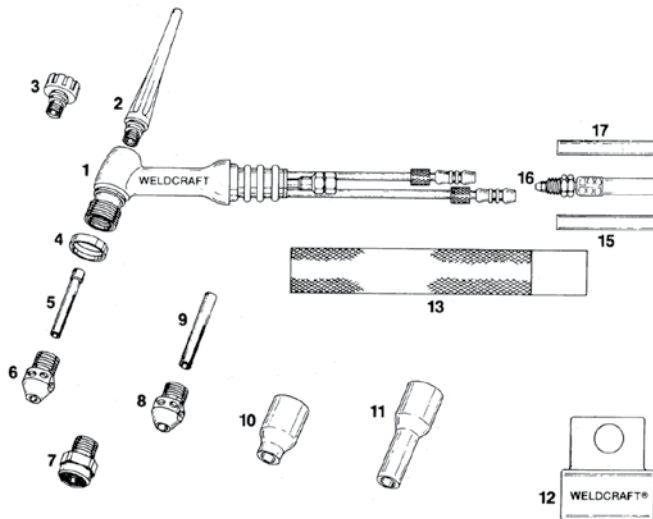


Chart A: Collets, Collet Bodies, Gas Lens

Electrode Dia.	.040	1/16	3/32	1/8	5/32	3/16
Standard collet	10N22	10N23	10N24	10N25	54N20	
Heavy-duty collet				10N25HD	54N20HD	18C36
Gas lens	18GL04	18GL16	18GL32	18GL18	18GL53	18GL36
Std. nose collet body	NCB-53	NCB-53	NCB-53	NCB-53		
H.D. nose collet body				NCB-36*	NCB-36*	NCB-36*

*Use only with heavy duty collets. Water cooled torches require cooling water flow of 1 quart (.94 liter) to 1-1/2 quarts (1.4 liters) per minute at a maximum of 50 PSI pressure.

Chart B: Gas Nozzles

Size	4	5	6	7	8	Short
Alumina	54N18	54N17	54N16	54N15	54N14	54N19*
Long alumina		54N17L	54N16L	54N15L	54N14L	

*Not recommended for use with high frequency current.

Cable Covers: WC-3-10, WC-3-22
Extension Kit: EK-1-25
Torch Length: 9-1/4"

#	Part No.	Description
1	WP-18SC	Torch body, includes nozzle gasket (70°)
2	57Y02	Long back cap, includes 98W18 O-ring
3	57Y04	Short back cap, includes 98W18 O-ring
4	18NG	Nozzle gasket
5	see chart A	Standard collet
6	see chart A	Standard nose collet body
7	see chart A	Gas lens
8	see chart A	Heavy-duty nose collet body
9	see chart A	Heavy-duty collet
10	see chart B	Alumina nozzle
11	see chart B	Long alumina nozzle
12	45V11	Power cable adapter
13	H-200	Handle
17	Water Hose	
	40V74	12-1/2 ft. (3.8 m)
	40V74R	12-1/2 ft. (3.8 m), rubber
	41V32	25 ft. (7.6 m)
16	Power Cable	
	40V64	12-1/2 ft. (3.8 m)
	40V64R	12-1/2 ft. (3.8 m), rubber
	41V29	25 ft. (7.6 m)
15	Gas Hose	
	40V75	12-1/2 ft. (3.8 m)
	40V75R18	12-1/2 ft. (3.8 m), rubber
	41V30	25 ft. (7.6 m)
15	Gas Hose	
	41V30R18	25 ft. (7.6 m), rubber
Cable Repair Kits		
ZCRK18	Power cable repair kit	
ZHRKW18	Water hose repair kit	

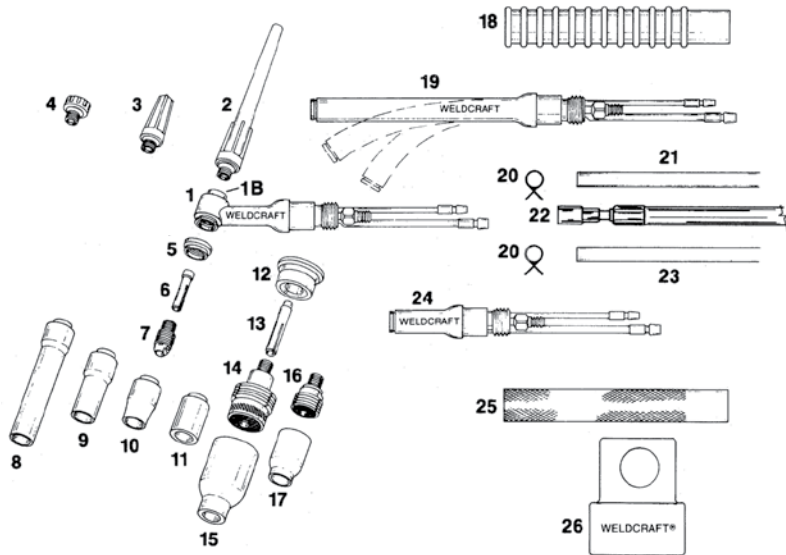
Water Cooled TIG Torches

WP-20 Series

- Lightweight, small durable torches
- Compact and well-balanced for general duty use. Efficient around the head cooling for trouble free performance and long life. Parts interchange with WP-9, WP-9P and WP-25 Models.



Part No.	Description	Max AMPS	Head Angle	Gas Valve	Handle Style	Access Kit	Hook-Up Kit
WP-20	Torch body	250	70°	-	Textured 3/4" dia.	AK-4	HK-1
WP-20-12	Torch package						
WP-20-12-R							
WP-20-25							
WP-20-25-R							
WP-20V	Torch body	250	70°	Knob & stem	Textured 3/4" dia.	AK-4	HK-1
WP-20V-12	Torch package						
WP-20V-25							
WP-20P	Torch body	225	180°	-	Textured 3/4" dia.	AK-4A	HK-1
WP-20P-12	Torch package						
WP-20P-25							
WP-25	Torch body	200	180° FLEX	-	Textured 3/4" dia.	AK-4A	HK-1
WP-20P-12	Torch package						
WP-20P-25							



Part No. WP-20

#	Part No.	Description
1	WP-20	Torch body, includes cup gasket (70°)
1B	09-4	Insert
2	41V24	Long back cap, includes 98W77 O-ring
3	41V35	Medium back cap, includes 98W77 O-ring
4	41V33	Short back cap, includes 98W77 O-ring
5	598882	Cup gasket
6	see chart A	Collet
7	see chart A	Collet body
8	see chart B	Extra long lava nozzle
9	see chart B	Long lava nozzle
10	see chart B	Alumina nozzle
11	see chart B	Lava nozzle
12	54N63-20	Lg. diameter gas lens insulator
13	see chart A	Lg. diameter gas lens collet
14	see chart A	Lg. diameter gas lens
15	see chart B	Lg. diameter gas lens nozzle
16	see chart A	Gas lens
17	see chart B	Alumina gas lens nozzle
18	53N06R	Handle (ribbed, optional)
19	WP-25	Flexible torch body, includes cup gasket
20	53N04	Hose clamp
Gas Hose		
21	45V09	12-1/2 ft. (3.8 m)
	45V09R	12-1/2 ft. (3.8 m), rubber
	45V10	25 ft. (7.6 m)
	45V10R	25 ft. (7.6 m), rubber
Power Cable		
22	45V03	12-1/2 ft. (3.8 m)
	45V03R	12-1/2 ft. (3.8 m), rubber
	45V03HD	12-1/2 ft. (3.8 m), heavy duty
	45V04	25 ft. (7.6 m)
	45V04R	25 ft. (7.6 m), rubber
23	45V04HD	25 ft. (7.6 m), heavy duty
	Water Hose	
	45V07	12-1/2 ft. (3.8 m)
	45V07R	12-1/2 ft. (3.8 m), rubber
	45V07HD	12-1/2 ft. (3.8 m), heavy duty
24	45V08	25 ft. (7.6 m)
	45V08R	25 ft. (7.6 m), rubber
	45V08HD	25 ft. (7.6 m), heavy duty
	WP-20P	Pencil torch body, includes cup gasket
	Handle	
25	H-100	Torch handle for WP-20V
	53N06	Handle (smooth, standard) for WP-20, WP-20P, WP-25
26	45V11	Power cable adapter
Cable Repair Kits		
	ZCRK20	Power cable repair kit
	ZHRKG20	Gas hose repair kit
	ZHRKW20	Water hose repair kit
VS-2		Valve stem, includes 98W77 O-ring (not shown)

Chart A: Collets, Collet Bodies, Gas Lens

Electrode Dia.	.020	.040	1/16	3/32	1/8
Collet	13N20	13N21	13N22	13N23	13N24
Collet body	13N25	13N26	13N27	13N28	13N29
Gas lens	45V41	45V42	45V43	45V44	45V45
Lg. diameter gas lens collet	13N20L	13N21L	13N22L	13N23L	13N24L
Lg. diameter gas lens	45V0204S	45V0204S	45V116S	45V64S	995795S

Chart B: Gas Nozzles

SIZE	3	4	5	6	7	8	10	12	SHORT
Alumina		13N08	13N09	13N10	13N11	13N12	13N13		
Alumina gas lens		53N58	53N59	53N60	53N61	53N61S			
Large dia. gas lens				57N75		57N74	53N88	53N87	53N89*
Lava		13N14	13N15	13N16	13N17	13N18	13N19		
Long Lava	796F70	796F71	796F72	796F73					
Ex. Long Lava	796F74	796F75	796F76	796F77					

*Not recommended for use with high frequency current.

Cable Covers: WC-3-10, WC-3-22
Extension Kit: EK-1-25
Weight WP-20: 3 oz. (less hoses)
Weight WP-25: 4 oz. (less hoses)
Torch Length: WP-20: 7" WP-20P: 6-1/2" WP-25: 11"

AK-4 (WP-20)
 1-Short Back Cap
 3-Collets 1/16", 3/32", 1/8"
 3-Collet Bodies 1/16", 3/32", 1/8"
 3-Al. Nozzle 5, 6, 7
 3-Tungsten Electrodes 2%, 1/16", 3/32", 1/8" x 7"

Water Cooled Machine Torches

WP-22 Series

Front or back loading of the tungsten electrode. Torch does not need to be moved to load or remove the electrode. Front or back tightening of the electrode. The adjustment to tighten the electrode can be made with the ribbed sleeve at the nozzle end or by the knob at the back end of torch. Standard collet bodies, gas lens collet bodies and gas cups interchange with the popular WP-20 manual torch.

- Model A uses 7" long tungsten electrodes.
- Model B uses 3" long tungsten electrodes.
- Air cooled available: WP-23A.

Part No.	Description	Max AMPS	Overall Length	Access Kit	Hook-Up Kit
WP-22A	Torch head	250	6-1/2"	N/A	HK-1
WP-22A-3	Torch package				
WP-22A-12 WP-22A-25					
WP-22B	Torch head	250	3-1/2"	N/A	HK-1
WP-22B-3	Torch package				
WP-22B-12 WP-22B-25					



Part No. WP-22A

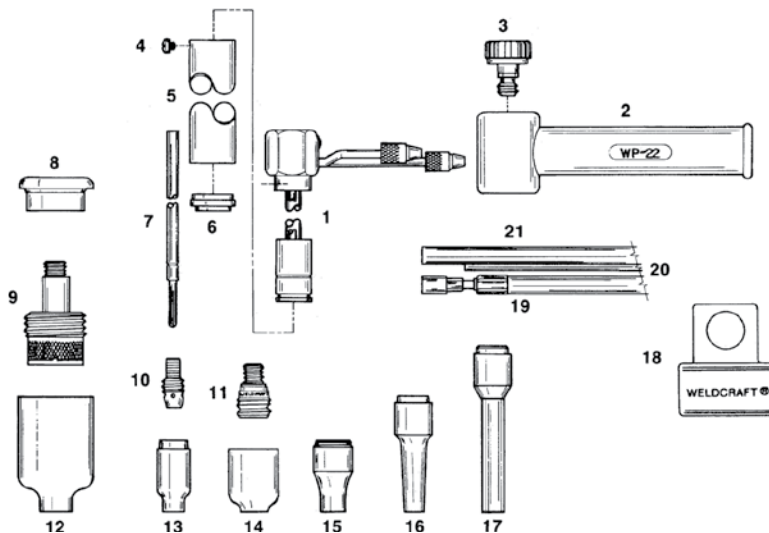


Chart A: Collets, Collet Bodies, Gas Lens

Electrode Diameter	.040	1/16	3/32	1/8
Collet	22N21A 22N21B	22N22A 22N22B	22N23A 22N23B	22N24A 22N24B
Collet body	13N26	13N27	13N28	13N29
Gas lens	45V42	45V43	45V44	45V45
Lg. diameter gas lens collet	22N21AL	22N22AL	22N23AL	22N24AL
Lg. diameter gas lens	45V0204S	45V116S	45V64S	995795S

Water cooled torches require cooling water flow of 1 quart (.94 liter) to 1-1/2 quarts (1.4 liters) per minute at a maximum of 50 PSI pressure.

Chart B: Gas Nozzles

Size	3	4	5	6	7	8	10	12	Short
Alumina		13N08	13N09	13N10	13N11	13N12	13N13		
Alumina gas lens		53N58	53N59	53N60	53N61	53N61S			
Lg. diameter gas lens				57N75		57N74	53N88	53N87	53N89*
Lava		13N14	13N15	13N16	13N17	13N18	13N19		
Long lava	796F70	796F71	796F72	796F73					
Ex. long lava	796F74	796F75	796F76	796F77					

*Not recommended for use with high frequency current.

#	Part No.	Description
1	WP-22A	7" long torch body
	WP-22B	3" long torch body
2	22-9	Insulating boot
3	22-7	Collet knob, includes 98W77 O-ring
4	18R-1	6-32 x 3/16" fillister head screw
5	22-8A	7" barrel
	22-8B	3" barrel
6	22-10	Cup gasket
7	see chart A	Collet
8	54N63-22	Lg. diameter gas lens insulator
9	see chart A	Lg. diameter gas lens
10	see chart A	Collet body
11	see chart A	Gas lens
12	see chart B	Lg. diameter gas lens nozzle
13	see chart B	Alumina nozzle
14	see chart B	Alumina gas lens nozzle
15	see chart B	Lava nozzle
16	see chart B	Long lava nozzle
17	see chart B	Extra long lava nozzle
18	45V11	Power cable adapter
Power Cable		
19	45V03HD-L3	3 ft. (.9 m)
	45V03HD	12-1/2 ft. (3.8 m)
	45V04HD	25 ft. (7.6 m)
Gas Hose		
20	45V09-L3	3 ft. (.9 m)
	45V09	12-1/2 ft. (3.8 m)
	45V10	25 ft. (7.6 m)
Water Hose		
21	45V07HD-L3	3 ft. (.9 m)
	45V07HD	12-1/2 ft. (3.8 m)
	45V08HD	25 ft. (7.6 m)
Cable Repair Kits		
ZCRK20		Power cable repair kit
ZHRKG20		Gas hose repair kit
ZHRKW20		Water hose repair kit

Cable Covers: WC-3-10, WC-3-22
Extension Kit: EK-1-25

Water Cooled / Air Cooled TIG Torches

WP-24 Series

- Small, lightweight torch ideal for intricate work and reaches into tight places.
- Handle mounted gas control valve available. Feather weight but well-balanced and durable.
- Torch packages include: Torch body, handle, power cable assembly, and insulating gasket. power cable adapter must be ordered separately.
- If other than standard power cable is desired for air cooled torch, change last character to receive desired power cable.
- Parts interchange with WP-24W model.



Part No. WP-24

Part No.	Description	Max AMPS	Head Angle	Handle Style	Access Kit	Hook-Up Kit	Cable
WP-24	Torch body	80	60°	Textured 3/4 Dia.	AK-5	Call for details	2-piece rubber power cable
WP-24-12-2	Torch package						
WP-24-25-2	Torch package						
WP-24W	Torch body	180	70°	Textured 3/4 Dia.	AK-5W	HK-1	3-piece vinyl power cable
WP-24W-12	Torch package						
WP-24W-25	Torch package						

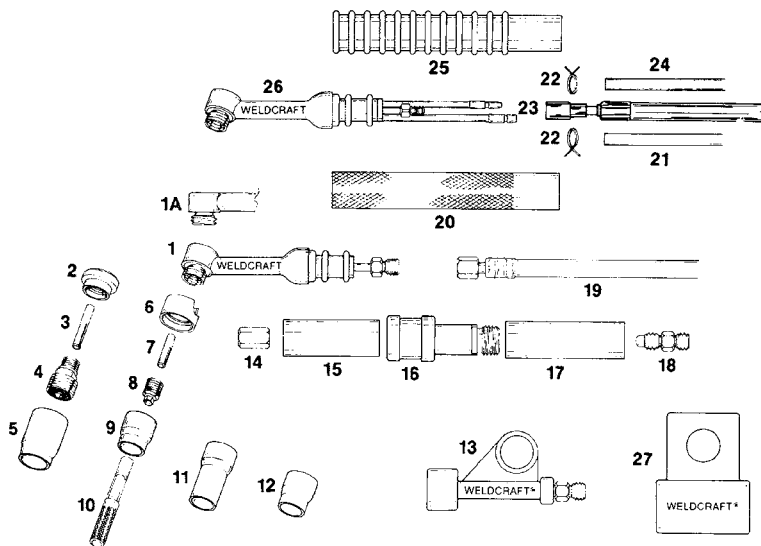


Chart A: Collets, Collet Bodies, Gas Lens

Electrode Diameter	.020	.040	1/16	3/32
Collet	53N15	53N16	53N14	24C332
Collet body	53N17	53N18	53N19	24CB332
Gas lens collet	53N62	53N63	53N64	24GLC332
Gas lens	45V41	45V42	45V43	45V44

Water cooled torches require cooling water flow of 1 quart (.94 liter) to 1-1/2 quarts (1.4 liters) per minute at a maximum of 50 PSI pressure.

Chart B: Gas Nozzles

Size	.165	4	5	6	7	8
Alumina		A53N24	A53N25	A53N27		
Lava	53N23	53N24	53N25	53N27		
Long lava		53N28		53N26		
Alumina gas lens		53N58	53N59	53N60	53N61	53N61S

*Not recommended for use with high frequency current

Cable Covers:	WC-3-10, WC-3-22
Extension Kit:	Not available
Weight WP-24:	1 oz. (less power cable)
Weight WP-24W:	3 oz. (less hoses)
Torch Length:	7-1/2"

#	Part No.	Description
1	WP-24	Torch body includes cup gasket (60°)
1A	WP-24N	Torch body same as WP-24, with 90° head
2	53N66	Gas lens insulator
3	see chart A	Gas lens collet
4	see chart A	Gas lens
5	see chart B	Alumina gas lens nozzle
6	53N22	Cup gasket
7	see chart A	Collet
8	see chart A	Collet body
9	see chart B	Lava nozzle
10	53N20	Collet body wrench
11	see chart B	Long lava nozzle
12	see chart B	Alumina nozzle
13	53N43	Power cable adapter (WP-24)
14	24 -4	Coupler
15-7	V-92	Valve assembly. includes items 15, 16, 17
15	V-92-1	Front handle (not sold separately)
16	V-92-2	Valve body (not sold separately)
17	V-92-3	Rear handle (not sold separately)
18	24 -5	Adapter
	Power Cable (WP-24)	
	56Y38	12-1/2 ft. (3.8 m) vinyl
19	56Y97	25 ft. (7.6 m) vinyl
	56Y38R	12-1/2 ft. (3.8 m) rubber
	56Y97R	25 ft. (7.6 m) rubber
20	H-100	Handle (smooth, standard)
	Water Hose (WP-24W)	
21	45V07	12-1/2 ft. (3.8 m)
	45V08	25 ft. (7.6 m)
22	53N04	Hose clamp
	Power Cable (WP-24W)	
23	45V03	12-1/2 ft. (3.8 m)
	45V04	25 ft. (7.6 m)
	Gas Hose (WP-24W)	
24	45V09	12-1/2 ft. (3.8 m)
	45V10	25 ft. (7.6 m)
25	H-100R	Handle (ribbed, optional)
26	WP-24W	Torch body, includes cup gasket (70°)
27	45V11	Power cable adapter (WP-24W)

Water Cooled TIG Torches

WP-27 Series

- Features front or back loading or tightening of the tungsten electrode. Torch does not need to be moved to load or remove the electrode. The adjustment to tighten the electrode can be made with the ribbed sleeve at the nozzle end or by the knob at the back end of torch. Internal tungsten adjustment. The electrode can be raised or lowered within the torch for extremely fine positioning. Axial movement of approximately 1/4" is possible.
- Collet body has integral replaceable gas lens screens.
- Cooling requirements: 2 qt./min. (1.9 L/min.) - air cooled available in 9"-WP-27AAC.
- Maximum pressure 50 PSI (345 kPa).
- Electrode capacity .040" - 1/4" dia. (1.0 - 6.4 mm).
- Torch packages include: body assembly, barrel, shaft assembly, insulating boot, cable and hoses.



Part No. WP-27

Part No.	Description	Max AMPS	Barrel Dia.	Overall Length	Access Kit	Hook-Up Kit
WP-27A	Torch head	500	1-3/8	9"	AK-27	HK-1
WP-27A-12 WP-27A-25	Torch package					
WP-27B	Torch head	500	1-3/8	20"	AK-27	HK-1
WP-27B-3	Torch package w/ bracket assembly					
WP-27B-12 WP-27B-25	Torch package					

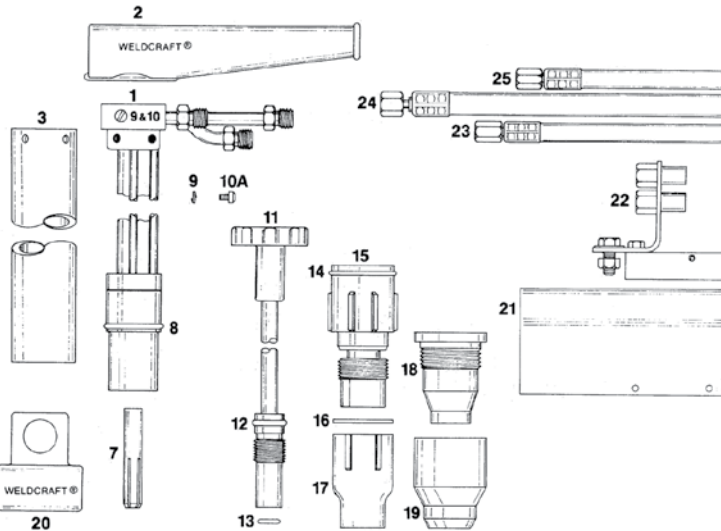


Chart A: Collets, Gas Lens

Electrode Diameter	1/16	3/32	1/8	5/32	3/16	1/4
Collet	57N46	57N47	57N48	57N49	57N50	57N51
Gas Lens	49V23	49V24	49V25	49V26	49V27	49V28

Chart B: Gas Nozzles

Size	6	8	10	12	SHORT*
Alumina	57N75	57N74	53N88	53N87	53N89
Metal**			57N78	57N77	

*Not recommended for use with high frequency current.

**Requires 57N76 adapter.

Cable Covers: WC-4-10, WC-4-22
Extension Kit: Not available

#	Part No.	Description
1	WP-27A	Torch body, (9" long) includes shaft assembly, barrel & boot
	WP-27B	Torch body, (20" long) includes shaft assembly, barrel & boot
2	27-12	Insulating boot
3	27-10A	Barrel assembly. "A" model, includes 3 ea. 27-10 screw, 3 ea. 27-11 washer
	27-10B	Barrel assembly. "B" model, includes 3 ea. 27-10 screw, 3 ea. 27-11 washer
6	18R-1	6-32 x 3/16" fillister head screw
7	-	Collet (See chart A)
8	27-2-4	O-ring
9	27-11	#6 bronze lock washer
10	27-10	6-32 x 5/16" binding head screw
10A	27-19	6-32 x 5/16" binding head nylon screw
11	27-13A	Shaft assembly. "A" model includes shaft, knob, 1 ea. 27-13-2 & 27-13-3 O-ring
	27-13B	Shaft assembly. "B" model includes shaft, knob, 1 ea. 27-13-2 & 27-13-3 O-ring
12	27-13-2	O-ring
13	27-13-3	O-ring
14	181W89	O-ring 57WCNA Water cooled nozzle (not shown)
15	see chart A	Gas lens, includes 1 ea. 181W89 O-ring, 1 ea. 57N56 gasket
16	57N56	Gasket
17	see chart B	Alumina nozzle
18	57N76	Metal nozzle adapter
19	see chart B	Metal nozzle
20	45V11	Power cable adapter
21	27-18-3	Bracket insulating cover
22	27-18	Bracket assembly.* includes bracket, insulator block, insulator cover, mounting hardware: 1 ea. 1/2"-13 x 1" hex head brass cap screw 1 ea. 1/2"-13 hex brass nut 1 ea. 1/2" medium steel lock washer 1 ea. 1/2" plain brass washer
23	Gas Hose	
	40V82R-3	3 ft. (9 m)
	40V82R	12-1/2 ft (3.8 m)
24	Power Cable	
	40V84R-3	3 ft. (9 m)
	40V84R	12-1/2 ft (3.8 m)
	40V84RL	25 ft. (7.6 m)
25	Water-in Hose	
	40V83R-3	3 ft. (9 m)
	40V83R	12-1/2 ft (3.8 m)
	40V83RL	25 ft. (7.6 m)

*Bracket assembly used on 3 ft. torch package only.

Flex Torches

Flex Torches

- Water-cooled flexible torch body & WP-25 long reach flex-Pencil type water-cooled torch body.
- Each WP-225 torch package includes: Torch body, 9-70 and 1726 heads, power cable assembly and handle.
- WP-25 torch packages include: Torch body, handle and power cable assembly.



Part No. SF-225



Part No. WP-25

Part No.	Description	Max AMPS	Cooling	Power Cable	Water Hose	Gas Hose	Handle
WP-225	Torch body	225	Water				
WP-225-12	Torch package			45V03	45V07	45V09	53N06
WP-225-25	Torch package			45V04	45V08	45V10	
WP-225-12-HD	Torch package			45V03HD	45V07HD	45V09	
WP-225-25-HD	Torch package			45V04HD	45V08HD	45V10	
WP-225-12-R	Torch package			45V03R	45V07R	45V09R	
WP-225-25-R	Torch package	45V04R	45V08R	45V10R			
WP-25	Torch body	200	Water				
WP-25-12	Torch package			45V03	45V07	45V09	53N06
WP-25-25	Torch package			45V04	45V08	45V10	
WP-25-12-HD	Torch package			45V03HD	45V07HD	45V09	
WP-25-25-HD	Torch package			45V04HD	45V08HD	45V10	
WP-25-12-R	Torch package			45V03R	45V07R	45V09R	
WP-25-25-R	Torch package	45V04R	45V08R	45V10R			

WP-150/200 Air Cooled Flexible Torch Body Assembly



Part No. WP-150



Part No. WP-200

Flex Torch Bodies (Less Head)					
Part No.	Max AMPS	Cooling	Gas Valve	Torch Body	Element
WP-150	80-150	Air	No	150TB	150CE
WP-150V	80-150	Air	Yes	150VTB	150CE
WP-200	150-200	Air	No	200TB	200CE
WP-200V	150-200	Air	Yes	200VTB	200CE

Torch Package Assembly

Each WP-150/150V and WP-200/200V torch package includes: 1726 and 1726P heads, heavy duty 2-piece power cable, coil element, solid element, handle and wrench. Available with R for 1-piece rubber power cables.

Part No.	Max AMPS	Cooling	Gas Valve	Torch Body	Coil Element	Handle
WP-150-12-2	150	Air	No	150TB	150CE	105Z55R
WP-150V-12-2			Yes	150VTB		
WP-150-25-2			No	150TB		
WP-150V-25-2			Yes	150VTB		
WP-200-12-2	200	Air	No	200TB	200CE	10N15R
WP-200V-12-2			Yes	200VTB		
WP-200-25-2			No	200TB		
WP-200V-25-2			Yes	200VTB		

Interchangeable Heads



Part No. 9-70



Part No. 9-90



Part No. 09-P



Part No. 0024



Part No. 24-90



Part No. 1726



Part No. 1726P

Parts Used	Part No.	Max. AMPS		Head Angle
		A/C	W/C	
WP-9, 9P, 9V WP-20, 20P, 25	9-70	125	200	70°
	9-90	125	200	90°
	09-P	125	200	180°
WP-24, 24W	0024	80	160	70°
	24-90	80	160	90°
WP-17, 17V WP-18, 18V WP-26, 26V	1726	150/200	225	70°
	1726P	150/200	225	180°

Flex Torches / 300 AMP Air Cooled TIG Torches

Flex-Neck Parts



Part No.	Description	Torch Body
150TB	Torch body	9F, 17F, 24F WP150
150VTB	Torch body (valve)	9F, 17F, 24F WP150V
300LN	Lock nut	9F, 17F, 24F WP150
150W	Wrench	9F, 17F, 24F, WP150
105Z55R	Handle	9F, 17F, 24F, WP150
10N15R	Handle	16F, 26F, WP200, 200V
200W	Wrench	16F, 26F, WP200, 200V
200LN	Lock nut	16F, 26F, WP200, 200V
200TB	Torch body	16F, 26F, WP200
200VTB	Torch body (valve)	16F, 26F, WP200V
150CE	Coil element	WP150, 150V
200CE	Coil element	WP200, 200V
150SE	Solid element (converts torch to rigid neck)	WP150, 150V
200SE	Solid element (converts torch to rigid neck)	WP200, 200V
150TB-AA	Rubber torch body	9F, 17F, 24F, WP150
200TB-AA	Rubber torch body	16F, 26F, WP200

Air-Cooled Flex

Part No.	Max Amps	Accessory Parts Used
009F	125	WP-9, 9P, 9V, 20, 20P, 25
017F	150	WP-17, 17V
026F	200	WP-18, 18V, 26, 26V
024F	80	WP-24
016F	160	AHP-16, 35

Torch Body Assembly

Torch Assembly	Max. Amp	Cooling	Gas Valve	Torch Body
WP-9F	125	Air	No	150TB
WP-9FV	125	Air	Yes	150VTB
WP-17F	150	Air	No	150TB
WP-17FV	150	Air	Yes	150VTB
WP-26F	200	Air	No	200TB
WP-26FV	200	Air	Yes	200VTB
WP-24F	80	Air	No	150TB
WP-24FV	80	Air	Yes	150VTB
WP-16F	160	Air	No	200TB
WP-16FV	160	Air	Yes	200VTB

Torch Package Assembly

- Torch package includes: torch body assembly, ribbed handle, 2-piece power cable, and wrench.
- Available with R for 1-piece rubber power cables.
- All other torch packages must be ordered by components: only T/B, handle, cable.

Torch Assembly	Head Style	Max Amps	Cooling	Ribbed Handle
WP-9F-12-2 WP-9F-25-2 WP-9FV-12-2 (valve) WP-9FV-25-2 (valve)	9F	125	Air	105Z55R
WP-17F-12-2 WP-17F-25-2 WP-17FV-12-2 (valve) WP-17FV-25-2 (valve)	17F	150	Air	105Z55R
WP-26F-12-2 WP-26F-25-2 WP-26FV-12-2 (valve) WP-26FV-25-2 (valve)	26F	200	Air	10N15R
WP-24F-12-2 WP-24F-25-2 WP-24FV-12-2 (valve) WP-24FV-25-2 (valve)	24F	80	Air	105Z55R
WP-16FV-25-2 (valve) WP-16FV-25-R	16F	160	Air	10N15R

Crafter™ Series 300 AMP Air Cooled Torch

- New high performance cable assembly.
- Uses 26 style replacement parts.
- 300 AMP DC and 250 AMP AC rating at 60% duty cycle.
- Also available in 125 AMP and 200 AMP models.



Part No.	Description	Size
CS300	Torch body	-
CS300-12-2	Torch package	12.5'
CS300-25-2	Torch package	25'
CS300-12PC	Power cable	12.5'
CS300-25PC	Power cable	25'

Crafter™ Series 310 AMP / All In One Collet-Collet Body

Crafter™ Series 310 AMP

- CS310 torch packages come assembled with: Torch body, handle, gas & water hoses, power cable, cable cover, #6 HPN nozzle, 3/32" collet, 3/32" collet body, 3/32" x 7" tungsten electrode and long back cap.
- CS310-UAK - Universal accessory kit, contains: (1) 3/32" and 1/8" collets, (1) 3/32" and 1/8" collet bodies, (1) 3/32" gas lens collet bodies, (1) 3/32" x 7" and 1/8" x 7" tungsten electrodes, (1) Short, medium and long back caps, (1) #5 and #6 alumina nozzles, and (1) #5 and #6 gas lens alumina nozzles.



Part No.	Description
CS310-12	w/ 12' cable
CS310-25	w/ 25' cable
CS310-UAK	Universal accessory kit
HK-1	Hook-up kit

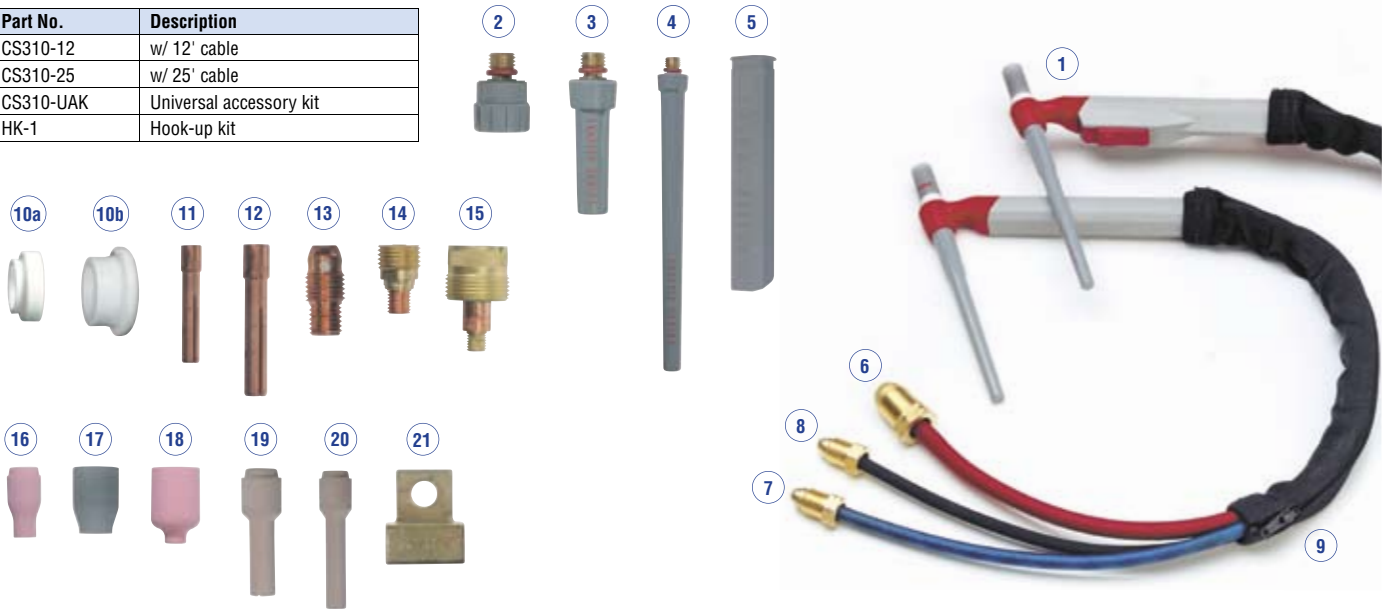


Chart A: Collets, Collet Bodies, Gas Lens

#	Electrode Diameter	.020	.040	1/16	3/32	1/8
11	Collet	13N20	13N21	13N22	13N23	13N24
12	Lg. gas lens collet	13N20L	13N21L	13N22L	13N23L	13N24L
13	Collet body	13N25	13N26	13N27	13N28	13N29
14	Gas lens	41V41	45V42	45V43	45V44	45V45
15	Lg. gas lens collet body	45V0204S	45V0204S	45V116S	45V64S	995795S

Chart B: Gas Nozzles

#	Size	4	5	6	7	8	10	12
16	Alumina	13N08	13N09	13N10	13N11	13N12	13N13	
17	Gas lens alumina	53N58	53N59	53N60	53N61	53N61S		
18	Lg. gas lens alumina			57N75		57N74	53N88	53N89
19	Long lava nozzle**	796F71	796F72	796F73				
20	X-tra lg. lava nozzle	796F75	796F76	796F77				

Note: For higher applications, reference CS410, WP-18SC, or call your weldcraft supplier.

#	Part No.	Description
1	CS310A	Torch body, includes 598882 insulator
2	CS110-BCS	Back cap, short, includes 98W77 O-ring
3	CS110-BCM	Back cap, medium, includes 98W77 O-ring
4	CS110-BCL	Back cap, long, includes 98W77 O-ring
5	CS110-H	D-Handle
6	CS310-12PC	Power cable, red, 12.5' (3.8 m)
	CS310-25PC	Power cable, red, 25' (7.6 m)
7	CS310-25W	Water hose, blue, for CS310 and CS410, 25' (7.6 m)
8	CS310-12G	Gas hose, black, 12.5' (3.8 m)
	CS310-25G	Gas hose, black, 25' (7.6 m)
9	WC-3-10	Cable cover, 10' (3.0 m)
	WC-3-22	Cable cover, 22' (6.7 m)
10a	598882	Teflon insulator
10b	54N63-20	Teflon insulator, for large diameter gas lenses
21	45V11	Power cable adapter

All In One Collet / Stubby Pencil Collet Body

- Fits into your existing torch quickly and easily with no special adjusting or additional care to achieve proper tungsten alignment.
- Quicker, easier changeover of tungsten size.
- Eliminates mismatch of collets and collet bodies.
- Avoids lost collets.
- Fewer parts to stock and easier to manage.
- Same great torch performance.
- Improved centering of the tungsten.



Part No.	Size
10N116SP	1/16"
10N332SP	3/32"
10N18SP	1/8"
13N116SP	1/16"
13N332SP	3/32"
13N18SP	1/8"


Air and Water Cooled Quick Connect System

Quick Connect System

Power Supply	Connection Type	QCS Hook-up Kit		
		Air Cooled		Water Cooled
		1 Pc.	2 Pc.	
ESAB®				
Heliarc 160I	DIN	Q5G-150	00Q5	
Handy TIG 180	DIN	Q5G-150	00Q5	
Heliarc 252/352	Threaded stud*	Q5G-150 Q5G-200	00Q5	0Q5W
LINCOLN®				
Invertec®				
160 series	DIN	Q5G-150	00Q5	Q5WGT
V-205-T	DIN (gas through)	Q5GT-150*		
V-205-S	DIN	Q5G-150	00Q5	
Square Wave Series				
TIG 175	DIN (gas through)	Q5GT-150		Q5WGT 0Q5W
TIG 275	DIN (gas through)	Q5GT-200		
TIG 355	Threaded stud*			
Precision series				
TIG 275	Direct thread connections	Not required	Not required	Not required
TIG 375				
MILLER®				
Econotig®	DIN (gas through)	Q5GT-150		Q5WGT
Dynasty®				
300 series	DIN DIN	Q5G-150 Q5G-200	00Q5	0Q5W
Maxstar®				
91	DIN	Q5G-150	00Q5	
152	DIN	Q5G-150	00Q5	
200 Series	DIN	Q5G-150	00Q5	
300 Series	DIN	Q5G-200	00Q5	
Synchrowave®	DIN (gas through)	Q5GT-150		
250 (all models)	Threaded stud*	Q5G-150	00Q5	0Q5W
350 (all models)	Threaded stud*	Q5G-200	00Q5	0Q5W
500	Threaded stud*	Q5G-200	00Q5	0Q5W
Aerowave®	Threaded stud*	Q5G-200	00Q5	0Q5W


*Power supplies with a threaded stud require a QCS-M adapter.

THERMAL ARC®		
Pro-Lites®		
LS300	DIN	Q5G-150
LT300	DIN	Q5G-200
LM300	DIN	Q5G-200
Pro-Plus®		
400S	DIN	Q5G-150, Q5G-200
400GTS	DIN	Q5G-150, Q5G-200
400GMS	DIN	Q5G-150, Q5G-200
AC/DC Inverter		
400GTSW	DIN	Q5G-150, Q5G-200
CC/CV Inverter		
600GMS	DIN	Q5G-150, Q5G-200




00Q5

- 2 Pc. cable up to 200a.




Q5G-150

- Solid din w/gas side hose.
- For 150a 1 pc. cable.




Q5G-200

- Solid din w/ gas side hose.
- For 200a 1 pc. cable.




Q5GT-150

- Gas through din.
- For 150a 1 pc. cable.




Q5GT-200

- Gas through din.
- For 200a 1 pc. cable.




0Q5W

- Solid din w/ water side hose.



Q5WGT

- Gas through din.
- For water-cooled torch.



Tungsten Grinder / Hose Braces and Clamps / Hose Repair Kits

Triad™ Tungsten Grinder

Provides operators with the versatility and accuracy needed to prepare tungsten for both orbital welding and hand-held applications.

- Grinding, cutting and facing capabilities.
- Eliminate the need and cost for additional preparation tools.
- Accommodates six different electrode sizes.
- Four-angle (15°, 18°, 22.5° and 30°) grinding capabilities.
- A robust industrial-grade motor extends grinder life and runs smooth.
- A comfortable lightweight body.
- High-quality, dual-sided, diamond-coated grinding wheels.
- Standard and rough grinding wheels for proper grind finish for the given tungsten diameter, cut up to 5/32" (4.0 mm) and precisely face for welding at elevated amperages. (Standard grinding wheel included with Triad.™)
- Electrode holder provides a secure grip to reduce the potential for flat spots.
- Sturdy steel carrying case included.

Part No. TIG-PLUS



Dual Hose Braces, Brass, Oval



Part No. 9116



Part No. 9940-P

Part No.	Inside Dimension	Length	Metal Thickness
Dimensions In Inches			
9116	.448 x .890	15/32"	.019
9979	.474 x .943	15/32"	.019
9940-P	.535 x 1.071	3/4"	.024
0453	.593 x 1.238	3/4"	.025
453-A	.640 x 1.310	3/4"	.025
0454	.700 x 1.325	3/4"	.025

Hose Clamps, Brass



Part No. 0500



Part No. 0502

Part No.	For Hose ID	Clamp ID
Dimensions In Inches		
0500	3/16"	7/16"
0501	1/4"	1/2"
0502	1/4"	9/16"
0503	3/8"	5/8"
0504	3/8"	11/16"
0505	3/4"	3/4"

Hose Repair Kits

Hose repair kits include crimping tool, nuts, couplers, splicers, nipples and ferrules. Fast, easy concave crimp ensures strong connections. Convenient plastic case is durable and includes a full color label and description chart. (See previous page for more information on the crimp tools included in the kits)



Part No. CK-3



Part No. CK-5

Part No.	Description
Hose Repair Kits with "Hammer-Strike" Crimp Tool: A-Size (3/8"-24) & B-Size (9/16"-18) Fittings	
CK-1	Kit with C-1 Crimp Tool for 3/16", 1/4" ID Hose
CK-3	Kit with C-3 Crimp Tool for 3/16", 1/4", 3/8" ID Hose
CK-20	Kit with C-1 Crimp Tool for 3/16", 1/4" ID Hose
CK-22	Kit with C-1 Crimp Tool, for 1/4" ID Hose, B-Size Fittings Only
Hose Repair Kits with "Hand-Grip" Crimp Tool: A-Size (3/8"-24) & B-Size (9/16"-18) Fittings	
CK-5	Kit with C-5 Crimp Tool for 3/16", 1/4" ID Hose
CK-6	Kit with C-6 Crimp Tool for 5/16", 3/8" ID Hose
CK-24	Kit with C-5 Crimp Tool for 3/16", 1/4" ID Hose
CK-26	Kit with C-5 Tool for 1/4" ID Hose, B-Size Fittings Only
Hose Repair Kit - B-Size (9/16"-18) Fittings Only	
CK-7	B-Size (9/16"-18) Kit, 189 Fittings in Case (Does not include Crimp Tool)
Hose Repair Kit Case Only	
A10004	Western Kit Case, 11" x 7" x 1-1/4"
Brass Ferrule & Crimping Tool Kit	
CK-10	Ferrule Kit, 134 pieces, C-3B Crimp Tool