

## TEE PURGE ASSEMBLIES

### Series 4500

#### DESCRIPTION

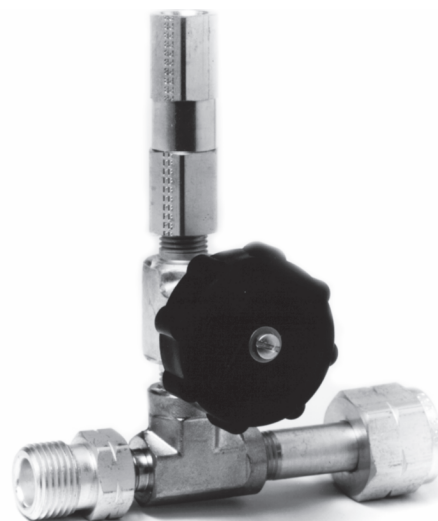
The Series 4500 tee purge assemblies are designed to be installed between the cylinder valve and the pressure regulator. They enable the user to purge the system through the regulator with an inert gas.

The Series 4500 units feature multi-turn diaphragm packless valves and a check valve installed on the purge gas inlet. They are rated for 3000 psig.

#### HOW TO ORDER

Model	Material of Construction
4510-CGA*	brass
4520-CGA*	stainless steel
4550-CGA*	monel® and Al-Si-Bronze

\*Specify CGA connection required when ordering.



Series 4500

## TEE PURGE ASSEMBLIES

### Series 4600

#### DESCRIPTION

The Series 4600 tee purge assembly was designed for use with inert gases such as argon, helium, and nitrogen. When installed either on the inlet to a pressure regulator or on the cylinder end of a pigtail they are an ideal device for purging the cylinder inlet connection after cylinder changeover to eliminate the introduction of oxygen and water to the system. These tee purges conveniently use the gas in the cylinder for purging.

The Series 4600 can be constructed either with multi-turn or 90° lever actuated diaphragm packless valves. This entire assembly is designed to pass a helium leak rated of  $1 \times 10^{-8}$  sccm. They are rated for 3000 psig.



Series 4600

#### HOW TO ORDER

Model*	Mat. of Constr.	Connections	
		Inlet	Outlet
4610-P4FF multi-turn	brass	1/4" NPT female	1/4" NPT female
4611-P4FF 90° lever	brass	1/4" NPT female	1/4" NPT female
4610-CGA multi-turn	brass	specify CGA	1/4" NPT female
4611-CGA 90° lever	brass	specify CGA	1/4" NPT female
4611M-CGA multi-turn	brass	specify CGA	1/4" NPT male
4611M-CGA 90° lever	brass	specify CGA	1/4" NPT male
4612-CGA multi-turn	brass	specify CGA	mating CGA
4613-CGA 90° lever	brass	specify CGA	mating CGA
4620-P4FF multi-turn	ss	1/4" NPT female	1/4" NPT female
4621-P4FF 90° lever	ss	1/4" NPT female	1/4" NPT female
4620-CGA multi-turn	ss	specify CGA	1/4" NPT female
4621-CGA 90° lever	ss	specify CGA	1/4" NPT female
4620M-CGA multi-turn	ss	specify CGA	1/4" NPT male
4621M-CGA 90° lever	ss	specify CGA	1/4" NPT male
4622-CGA multi-turn	ss	specify CGA	mating CGA
4623-CGA 90° lever	ss	specify CGA	mating CGA

\*Specify CGA connection required when ordering.